

UC Display column_W6

Height-adjustable and multifunctional



The W6 – a modular system

Base module

incl. height-adjustable mounting surface for display mounting and front cover (available in 3 heights)



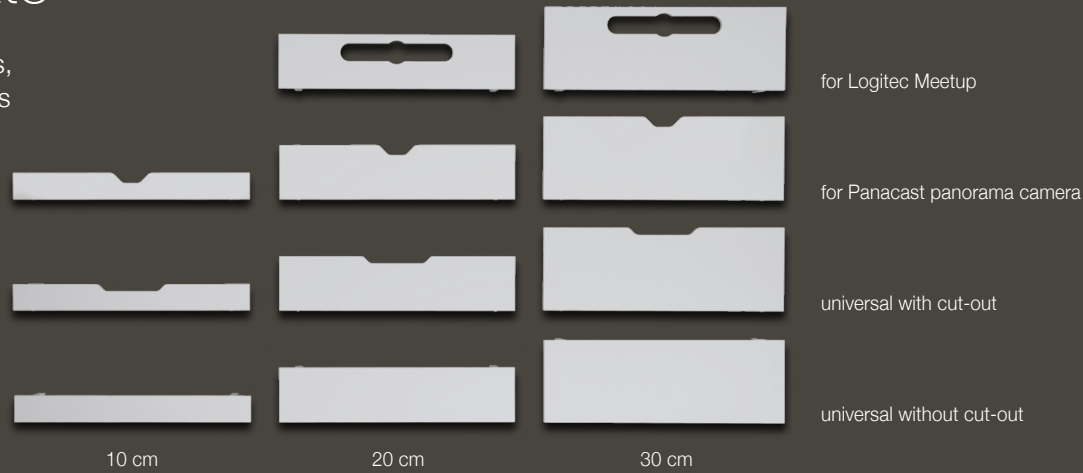
The W6 modular system has been registered for patent approval

Front cover 80, 90, 100 cm



Bezel plate

(optional) in 3 heights, with different cut-outs



Accessories

(optional)



The UC Display column_W6 is designed for small to medium-sized meeting rooms. The modular structure impresses with its many, flexible possibilities and convinces with functionality down to the last detail.

... for the creation of variable UC-columns



low, for example



... or high



... individuell



... or universal

Highly functional down to the last detail



Bezels can be easily attached to the base module with a magnet mechanism.

Behind the bezel (or front cover) there is plenty of room for technology integration and cable routing.

The base module as well as the front covers and bezels are made of MDF with a high-grade structured lacquer finish in arctic white.

For free-standing positioning with optional foot the W6 comes with a finished rear panel as standard.

The W6 captivates – whether wall-mounted or free-standing – with its slim silhouette and resulting little need for depth-space.



With its timeless design and outstanding quality the W6 gives any room a representative touch.

Unmistakably Holzmedia – MADE IN GERMANY.

For the height-adjustable integration of displays, UC-systems, VC-cameras, controllers, etc.
Can be freely positioned in a space



The screw-on mounting surface for display mounts can be fixed in 10 cm steps, allowing for a variety of display heights. Adjustable at any time. For heights of the lower display edge from 80 to 120 cm.

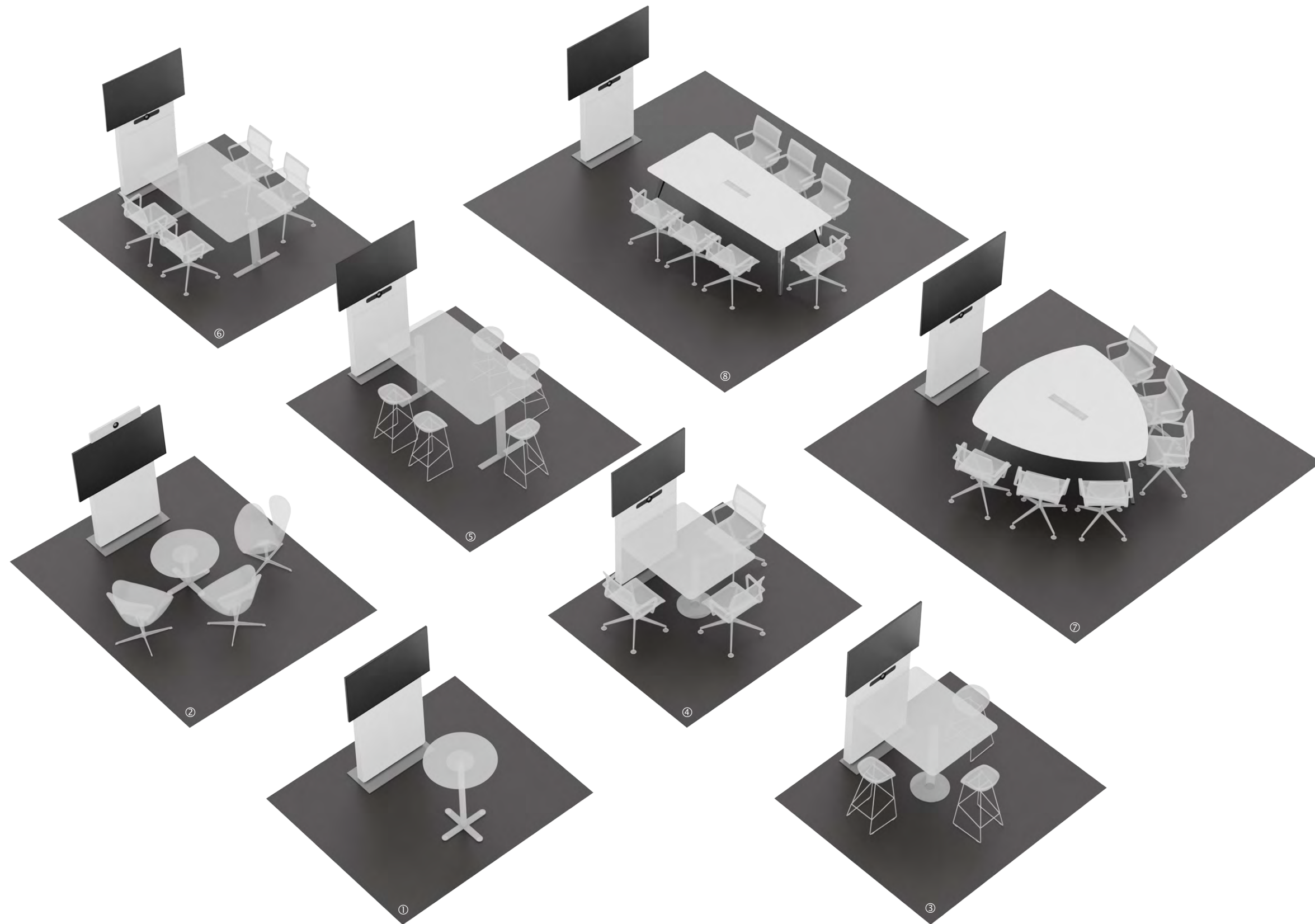


The W6 cut-out front covers are readily available for a variety of established UC and VC systems, but custom cut-outs can also be ordered, as in the picture on the right with data connector panel and controller.



The W6 base module provides load transfer for the displays. Simple wall-mounting is sufficient – also on drywalls without need for elaborate reinforcement! An optional L-foot eliminates the need for wall-mounting, for example in front of a glass wall. An optional T-foot allows free positioning in a space.

For small and medium-sized meeting rooms
Flexible use and easy to modify



For all types of rooms

Whether lounge, huddle room or traditional meeting room. For meetings sitting down or standing up. Wall-mounted or free-standing: the W6 modular system leaves all options open, as positioning and height can be chosen freely.

For all types of work-flow

The modular concept creates numerous options for the integration of media technology as well as established UC and VC systems, which can be changed at any time. The W6 (size M) is suited for displays from 50" to 65" with a weight of up to 40 kg.

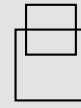
Small:

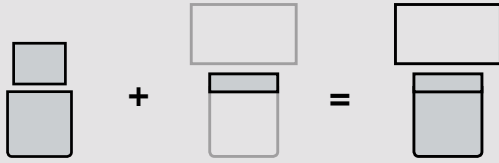
- ① Meeting point with adjustable high table
- ② Meeting lounge with lounge chairs and table
- ③ Huddle room, standing height with connected table
- ④ Huddle room, sitting height with connected table

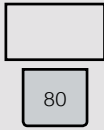
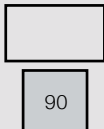
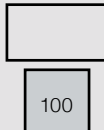
Medium-size:


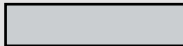



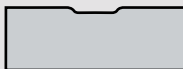




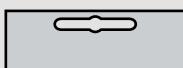
- ⑤ Meeting room, standing height with adjustable table for 4 - 5 persons
- ⑥ Meeting room, sitting height with adjustable table for 4 - 5 persons
- ⑦ VC meeting room, square with triangular meeting table C12
- ⑧ VC meeting room, elongated with trapezoidal meeting table

The W6 Modular system

 The W6 modular system has been registered for patent approval



Module	Type / Design Dimensions (W x D x H)	Technology integration Dimensions (W x H)	Display integration
Base module W6 M including front cover, available in three heights (cm)	Body with front cover and height-adjustable surface for display mount in arctic white		Display mounting with standard mounts
	Furniture, outside: 850 x 150 x 1430-1840 mm Technology housing, inside: 692 x 113 x 790 mm	Space for technical components: 692 x 790 mm	
	Furniture, outside: 850 x 150 x 1430-1840 mm Technology housing, inside: 692 x 113 x 890 mm	Space for technical components: 692 x 890 mm	for 50"- 65" displays max. display weight: 40 kg max. display width: 1600 mm recomm. display depth (incl. mount): 90-110 mm space for display mount (W x H) 690 x 580 mm
	Furniture, outside: 850 x 150 x 1430-1840 mm Technology housing, inside: 692 x 113 x 990 mm	Space for technical components: 692 x 990 mm	

Bezel plates W6 M (W 85 cm)	height 10 cm	height 20 cm	height 30 cm
universal without cut-out			
universal with cut-out			
for Panacast Panorama camera			
für Logitech Meetup			
custom drilled holes	on request	on request	on request
custom cut-outs	on request	on request	on request

Accessories W6 M: L-foot, T-foot, mount for VC-cameras