

#### Piece of jewellery

The **BLADE TABLE 173** is a real eye-catcher. It is remarkably unobtrusive. Aluminium reduced to the most necessary form. This is what a table monitor must look like. Timelessly elegant.

The front is made of glass. The back is almost flat. The silhouette is excitingly 8mm slim. The **BLADE TABLE 173** is technology you want to look at and touch. That's what we thought.

#### Picturesque!

The **BLADE TABLE 173** is made for lounge & entrance areas, executive offices & meeting rooms. With its brilliant 17.3 inch FullHD screen, it is the ideal working, viewing and preview screen for perfectly designed interiors.

The **BLADE TABLE 173** is not just the icing on the cake - it is a statement. It is designed with love for detail and manufactured with German precision in our factory.



# BLADE TABLE 173



- Most compact housing dimensions
- Slim 8 mm BLADE monitor housing
- 2 mm anti-reflective protective glass pane
- 17.3 inch display
- Monitor housing made of silver anodized aluminum
- Passive cooling without ventilation openings
- HDMI HDCP compatible; FullHD resolution
- EMC + EMV protected
- 5 years limited warranty



## FEATURES

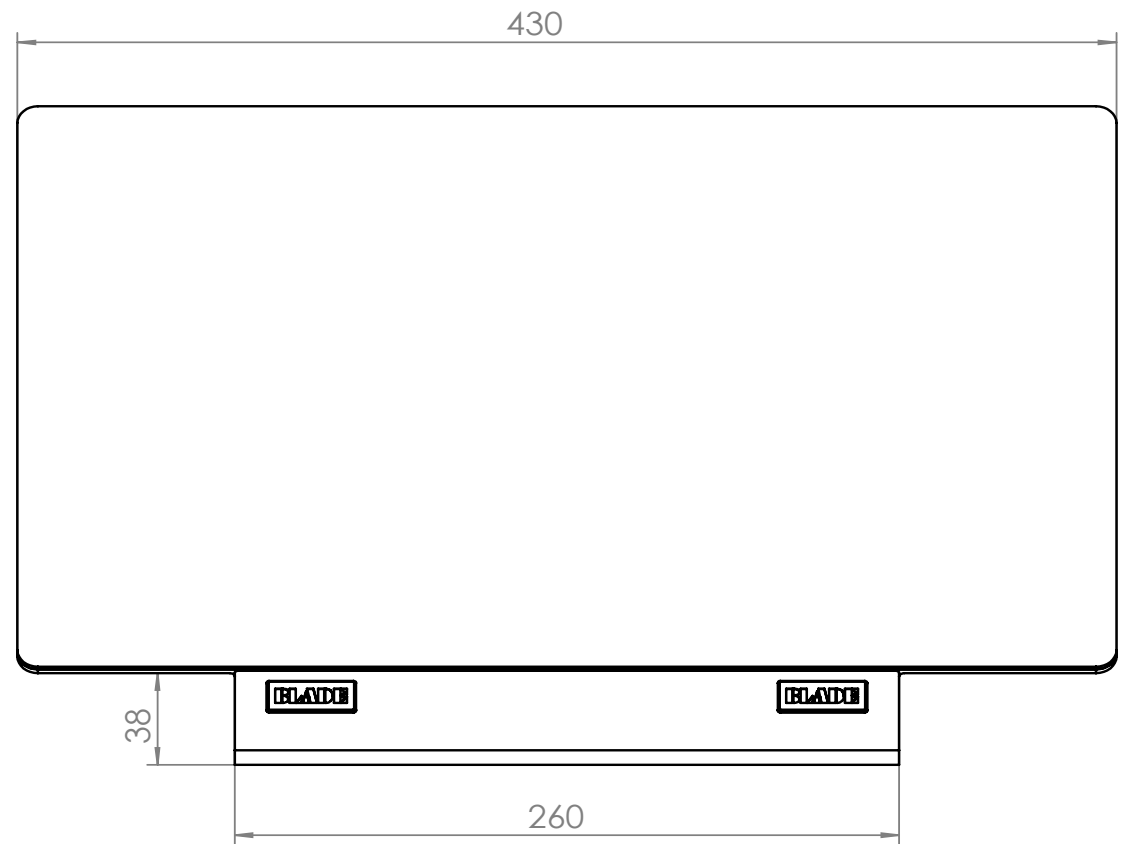
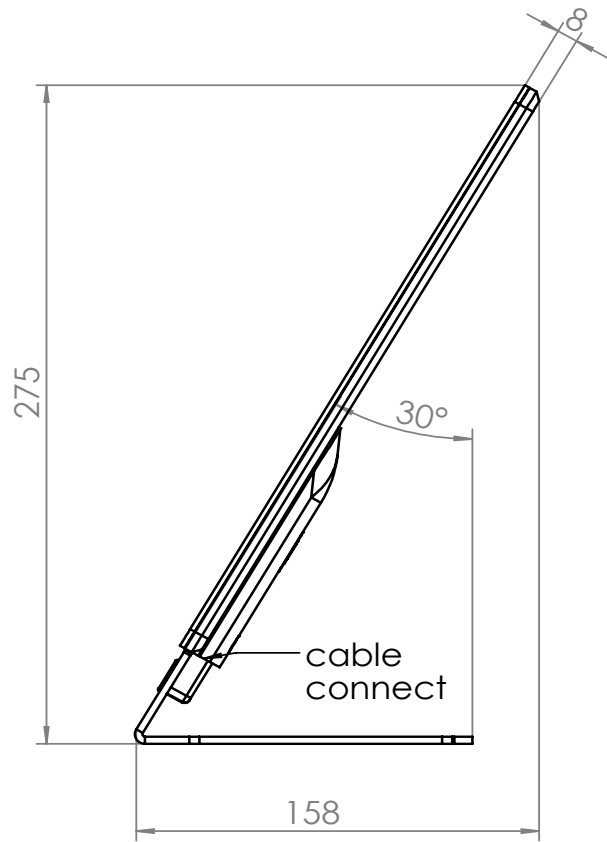
# BLADE TABLE 173

## TECHNICAL DATA

# Product Specification



<b>Art.No.</b>	425-173-4	<b>Monitor Size:</b>	17.3" (16:9)
<b>Model</b>	BLADE 173 Table	<b>Resolution:</b>	1920 x 1080 - Full HD, 262,144 colors
<b>Function</b>	17.3" 8mm thin Desktop TFT Monitor; Stand with fixed tilt angle (optional 15° or 30°, removable), high-quality aluminum body. Video interface: HDMI, DisplayPort	<b>Brightness:</b>	400 cd/m <sup>2</sup>
<b>Material</b>	Monitor: Milled aluminum, silver anodized, 2 mm anti-reflective glass   Stand: Stainless steel, powder coated	<b>Contrast ratio:</b>	(typ.) 600:1
		<b>Viewing angle:</b>	Horizontal 160 ° / vertical 140°
		<b>Viewing area:</b>	381,888 (v) x 214,812 mm
		<b>Pixel size:</b>	0,1989 x 0,1989 mm
		<b>LED Life time:</b>	up to 10,000 hrs.
		<b>Mass:</b>	2.5 kg
		<b>Dimensions:</b>	430 x 275 x 185 mm (LxWxD)
		<b>Power Consumption:</b>	OFF: 0.12 Watt, Sleep: 0.60 Watt, ON: 19 Watt
		<b>Inclination angle:</b>	30° or 15°
		<b>Video Interface:</b>	HDMI, DisplayPort
		<b>Scope of supply:</b>	Power adapter - Input: 100-240V AC, 50 / 60Hz. 1.5A; Output: 12V 60W MAX 5.A (cable length DC ~ 1.4m) power cord 1.5m, HDMI, cable length 1.5m



# Dimensions



We'd be delighted to offer our expertise in the planning and selection of the right solution for your needs. If required, we can send further technical drawings, detailed photographs, material samples and, of course, demo devices – perfect to handle and try out.

**Simply call us on +49 (0)7222 96654-20**

**Or send us an e-mail at: [info@element-one.de](mailto:info@element-one.de)**

**ELEMENT ONE**

**Multimedia GmbH**

Zum Murgdamm 5

76456 Kuppenheim

Germany

Fon: +49 (0) 7222 966 54 20

Mail: [info@element-one.de](mailto:info@element-one.de)

[www.element-one.de](http://www.element-one.de)