



Slim & elegant

The **CONVERS BLADE 125** has been designed to be the most compact vertical retractable monitor of the **CONVERS** family. Designed for applications where the smallest dimensions and low extension height are required.

CONVERS BLADE 125 is equipped with an 8mm slim, brilliant FullHD monitor. At the push of a button or remotely controlled (TCP/IP), the monitor moves elegantly and almost inaudibly out of the table and tilts motor-driven into the final position of up to 30° angle of inclination.

The **CONVERS BLADE 125** design is completely thought through. The electronic and mechanical components are state-of-the-art technology and quality from the first screw to the final polish. The result: The **CONVERS BLADE 125** offers incomparable durability and extremely low power consumption.

Unique.
Made in Germany.
Made by **ELEMENT ONE**.

CONVERS BLADE 125



- Ultra Thin BLADE Monitor Housing 8 mm
- 30° Monitor inclination
- 2 mm Anti-reflective safety glass
- Compact Housing Dimensions
- UltraLightWeightDesign
- Brushed stainless steel decorative frame and closure flap
- Milled aluminum, brushed, silver anodized Monitor-Housing
- UltraLowNoise & UltraLowEnergyDesign
- B-mount System
- Passive Cooling without Ventilation Openings
- DirectAxleAccess for manual motion
- HDMI HDCP compliant; FullHD
- Maintenance free
- 5 years limited warranty
- Digital Stepper 12V Motor Technique
- Electrical Clamping Protection
- Electrical & Acustical Diagnose System
- Durable HighFlex Cables
- Integrated Universal Mounting Rails
- All-Aluminum Body
- Smart Cable & Connection Location
- Mechanical protection against manual misoperation
- EMC + EMV protected
- HydraulicSaveSystem against mechanical malfunction



FEATURES

CONVERS BLADE 125

TECHNICAL DATA

Product Specification

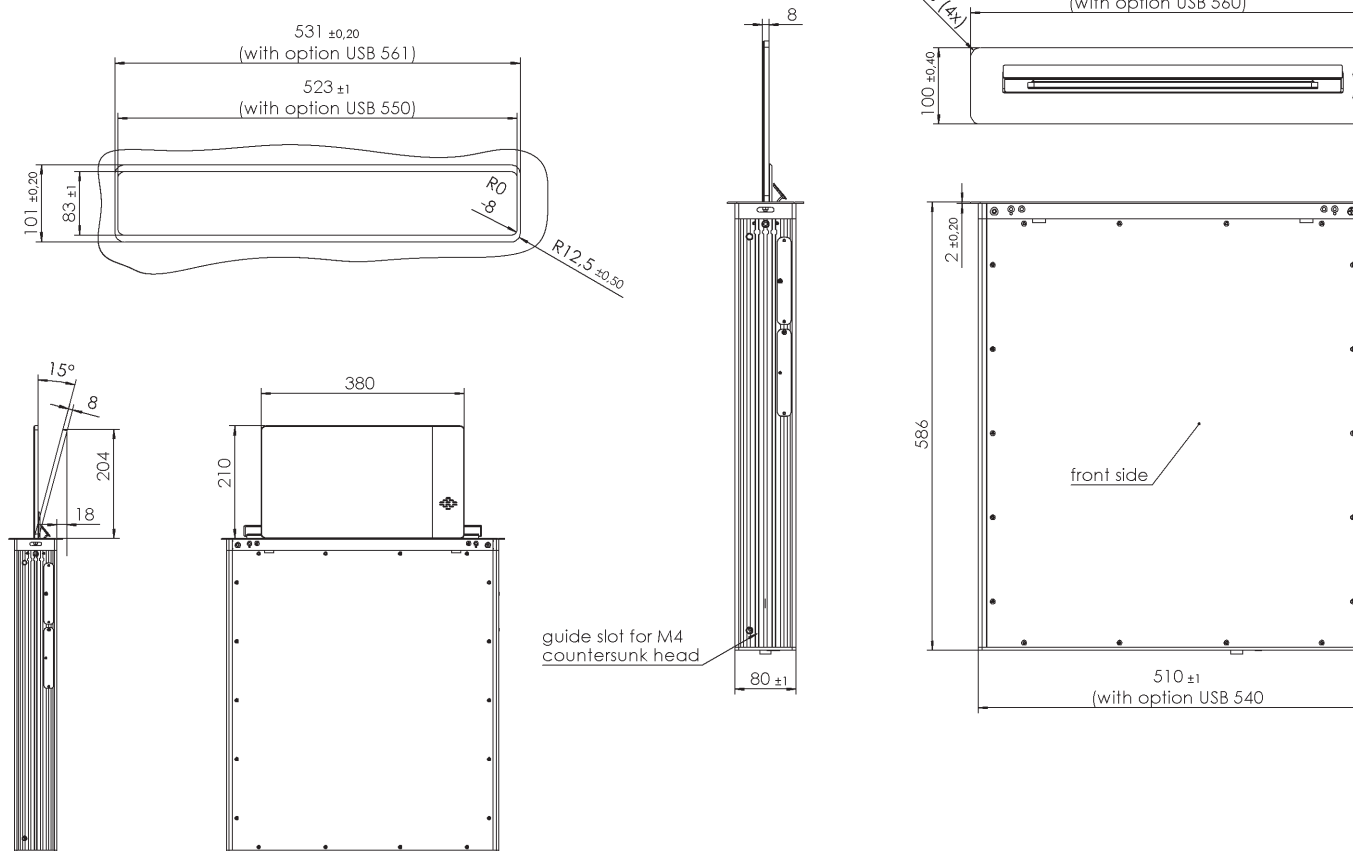


Art.No.	200-125-T IP BLADE	Screen size:	12.5" (16:9)
Type	CONVERS BLADE 125 FullHD TILT	Resolution:	1920 x 1080 - Full HD, 262,144 colors
Function	Vertically Retractable Monitor with 30° monitor inclination. Furniture integratable 12.5" monitor system with electronical movement mechanism / lifting of the 8mm slim display. Control via buttons on the device or via remote control interface (TCP/IP or Dry Contact); separate electromotive adjustment both pre-adjustable and individually adjustable by the user, programmable tilt angle.	Brightness:	400 cd/m2
Material	Monitor: Milled aluminum, silver anodized, 2 mm anti-reflective glass Mechanics: Anodized aluminum, stainless steel; Mounting frame and cover flap - Stainless steel, brushed	Contrast:	(typ.) 700:1
		Viewing Angle:	Horizontal 160 ° / vertical 160°
		LED Life:	up to 15,000 hours
		Mass:	10 kg
		Dimensions:	530 x 100 x 586 mm (LxWxD)
		Power Consumption:	typ. 15 Watts
		P.C. Display:	OFF: 0.12 Watts, Sleep: 0.60 Watts, ON: 19 Watts
		Inclination Angle:	up to 30°
		Dual Stepper Motors:	Display Movement, Tilt-Function
		Video Interface:	HDMI, Displayport *, DVI **
		Remote Interface:	9-pin d-sub serial + RJ45 TCP/IP
		Scope of supply:	Desktop Power Supply - Input: 100-240V AC, 50 / 60Hz. 1.5A; Output: 12V 60W MAX 5.A (Cable length DC ~ 140cm) Power cord 1.5m

* optional, additional Interface | ** optional, instead of HDMI



Table-cutting



Dimensions



We'd be delighted to offer our expertise in the planning and selection of the right solution for your needs. If required, we can send further technical drawings, detailed photographs, material samples and, of course, demo devices – perfect to handle and try out.

Simply call us on **+49 (0)7222 96654-20**

Or send us an e-mail at: **info@element-one.de**

ELEMENT ONE

Multimedia GmbH

Zum Murgdamm 5

76456 Kuppenheim

Germany

Fon: +49 (0) 7222 966 54 20

Mail: info@element-one.de

www.element-one.de