



Two sides - two monitors

The CONVERS DOUBLE is unique - and it is and remains the original: ELEMENT ONE invented the idea of two „back-to-back“ monitors in a super-flat case and made them completely retractable.

The CONVERS DOUBLE is a two-sided, retractable monitor solution designed to support productive conversation on both sides of the meeting table.

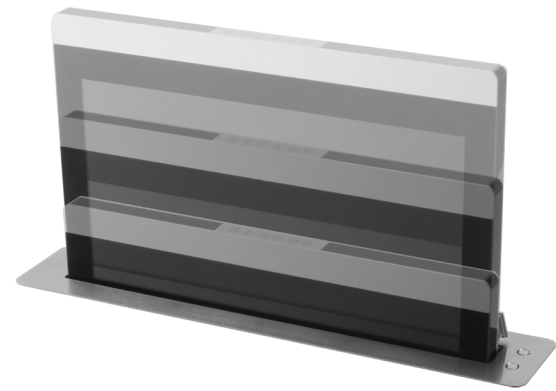
Two separate digital inputs allow two individual or one common screen content. Ideally suited for **long, narrow meeting tables** as well as for training rooms and retail installations.

With a single push of a button, the double monitor moves **whisper-quietly** out of the aluminium housing below - optionally remote-controlled via TCP/IP commands or a potential-free switch.

Made for Meetings.

Made in Germany.

CONVERS DOUBLE 220



- Compact housing dimensions
- 24.5 mm slim monitor housing
- 2x 1.5 mm anti-reflective protective screens
- brushed stainless steel for holding frame and closing flap
- High-quality monitor housing made of silver anodised aluminium
- Remote control: TCP/IP, command set with 13 commands, RJ45 interface and 9-pin dSub for contact switch
- Low-noise motion mechanics
- Passive cooling without ventilation openings
- DirectAxleAccess for manual extension and retraction - ideal for service and maintenance purposes
- HDMI HDCP compatible; FullHD resolution
- Precise stepper motor 12V
- Low power consumption, typ. 15W
- Electronic clamping protection
- Precision mechanics, maintenance-free
- Electronic & acoustic diagnosis and feedback system
- Durable HighFlex cables
- Integrated universal mounting rails for variable mounting Aluminium housing
- Sophisticated cable & connector placement
- Mechanical protection in case of faulty operation
- EMC + EMC protected
- HydraulicSaveSystem against mechanical malfunction
- 5 years limited warranty



FEATURES

CONVERS DOUBLE 220



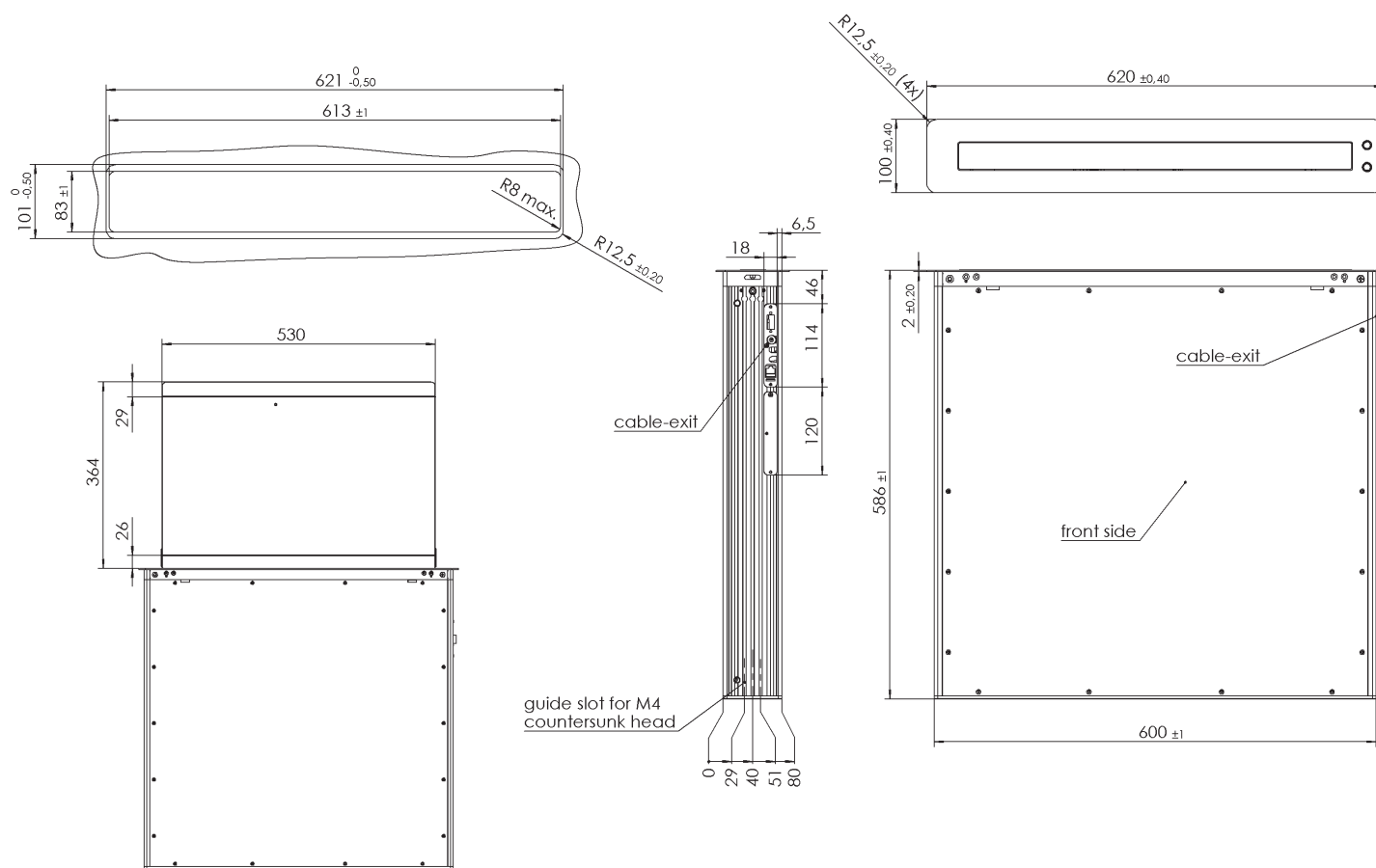
TECHNICAL DATA

Product Specification



Art.No.	200-220-DD IP	Screen size:	21.5" (16:9)
Type	CONVERS 220 DOUBLE FullHD	Resolution:	1920 x 1080 - Full HD, 16,7M colors
Function	In furniture integratable Dual 21.5" monitor system; furniture integratable Back-to-back-Monitor Lifting mechanism. 24.5 mm slim monitor; Control via push-button on the device or via remote control interfaces (TCP / IP or dry contact); Low noise <40dB; 12V stepper motor with precise synchronization - for simultaneous extension when using multiple monitors; Manual extension function DirectAxleAccess for service, maintenance and installation purposes. Electronic clamping protection.	Brightness:	400 cd/m2
Material	Monitor: Milled aluminum, anodized, 2x 1.5 mm anti-reflective cover-glass Decorative Trim: Acrylic glass, black Mechanics: Anodized aluminum, stainless steel Mounting Frame Stainless steel, brushed	Contrast ratio:	(typ.) 1,000:1
		Viewing angle:	Horizontal 178° / vertical 178°
		Viewing area:	475.20 (H) x 267.30 (V) mm
		Pixel size:	0.1989 x 0.1989 mm
		LED Lifespan:	up to 50,000 hrs.
		Mass:	~17,4 kg
		Dimensions:	620 x 100 x 586 mm (LxWxD)
		Power Consumption:	typ. 15 Watt
		P. consumption Monitor:	OFF: 0.12 Watt, Sleep: 0.60 Watt, ON: 19 Watt
		Display Motion:	Low Noise Stepper Motor
		Video Interface:	2x DVI, 2x VGA *
		Remote Interface:	9-pin d-sub serial + RJ45 TCP/IP
		Scope of Supply:	Power adapter - Input: 100-240V AC, 50 / 60Hz. 1.5A; Output: 12V 60W, MAX 5.A (Length DC ~ 140cm) Power Cord 1.5m

*optionally, additional Interface



Dimensions



We'd be delighted to offer our expertise in the planning and selection of the right solution for your needs. If required, we can send further technical drawings, detailed photographs, material samples and, of course, demo devices – perfect to handle and try out.

Simply call us on +49 (0)7222 96654-20

Or send us an e-mail at: info@element-one.de

ELEMENT ONE

Multimedia GmbH

Zum Murgdamm 5

76456 Kuppenheim

Germany

Fon: +49 (0) 7222 966 54 20

Mail: info@element-one.de

www.element-one.de