



„Monitor in Motion“

VERSIS FLEX 220 is by design a marvel of technology: A monitor system which can be embedded in furniture surfaces, which when in closed state has **the visible side up**.

It is made for areas in which the image information must always be at hand at the push of a button.

Operated by pressing a button or via remote control interface (TCP/IP or dry contact), both **the display and the front panel** for the keyboard rise with a barely perceptible whisper, elevating into final position.

Quality is the opposite of chance: **VERSIS FLEX 220** was conceived of **brilliant design** and developed with **high quality workmanship**.

Made in Germany
Made by ELEMENT ONE

VERSIS FLEX 220



„Look at this“

The **VERSIS 220 FLEX** is a unique, combined monitor-keyboard unit. It is both **elegant and precise** in the movement mechanics. Highly flexible cables and torsion-resistant components ensure unparalleled longevity. And of course, the **VERSIS FLEX 220** can be connected to all standard AV Media technology components.

Features

- Slim monitor housing made of silver anodised aluminum
- 3mm tempered & anti-reflective protective cover glass
- Low installation depth ensures sufficient knee / legroom under the table
- LightWeight, LowNoise, LowEnergyDesign
- HDMI HDCP compliant
- FullHD resolution
- 5 years limited warranty
- 2x stepper motors 12V & precise mechanics
- Electronic clamping protection plus mechanical protection in case of incorrect operation
- Optionally available with a variety of additional designs & functions, such as camera, conference components, touch screen, connecting box, custom color ...



VERSIS FLEX 220

TECHNICAL DATA

ELEMENT
ONE

Product Specification



Art.No.	103-220	Screen size:	21.5" (16:9)
Type	VERSIS 220 FLEX FullHD	Resolution:	1920 x 1080 - Full HD, 16,7M colors
Function	21.5" Monitor System integratable into furniture; Lift mechanism with two individual motors for extending / retracting monitor & keyboard panel. The front of the monitor is visible in the rest position / retracted position. Motion is steplessly controllable at the push of a button on the device or via the remote control interface. Control via push-button on the device or via remote control interfaces (TCP / IP or dry contact); Low noise <40dB; two 12V stepper motors with precise synchronization - for simultaneous extension when using multiple monitors. Monitor inclination 55°	Brightness:	400 cd/m ²
Material	Monitor: Milled aluminum, anodized, 3 mm anti-reflective cover-glass Decorative Trim: Acrylic glass, black Mechanics: Anodized aluminum, stainless steel Mounting Frame Stainless steel, brushed Front Plate / Keyboard Plate: Artificial leather, black	Contrast ratio:	(typ.) 1,000:1
		Viewing angle:	Horizontal 178° / vertical 178°
		Viewing area:	475.20 (H) x 267.30 (V) mm
		Pixel size:	0.1989 x 0.1989 mm
		LED Lifespan:	up to 50,000 hrs.
		Mass:	16 kg
		Dimensions:	585 x 440 x 64/86 mm (WxLxD front / T rear); Monitor thickness: 25mm
		Power consumption:	typ. 15 Watt
		P. consumption Monitor:	OFF: 0.12 Watt, Sleep: 0.60 Watts, ON: 19 Watt
		Inclination angle:	55°
		Appearance h. Monitor:	330mm at 55°
		2x Stepper Motors:	Display Motion & Front plate* (*not supplied w. Basic-Version)
		Video Interface:	HDMI, Displayport *, DVI **; HDCP compliant
		Remote Interface:	9-pin d-sub serial + RJ45/ TCP/IP for control and adjustment of motion parameter, also Firmware Update (E1-Cable & Software required)
		Scope of Supply:	Power adapter - Input: 100-240V AC, 50 / 60Hz. 1.5A; Output: 12V 60W MAX 5.A (Length DC ~ 140cm) Power Cord 1.5m

* optionally, additional Interface | ** optionally, instead of HDMI



table-cutting

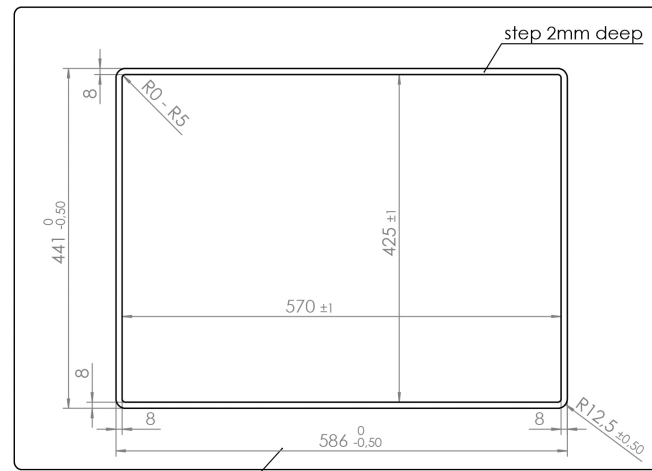
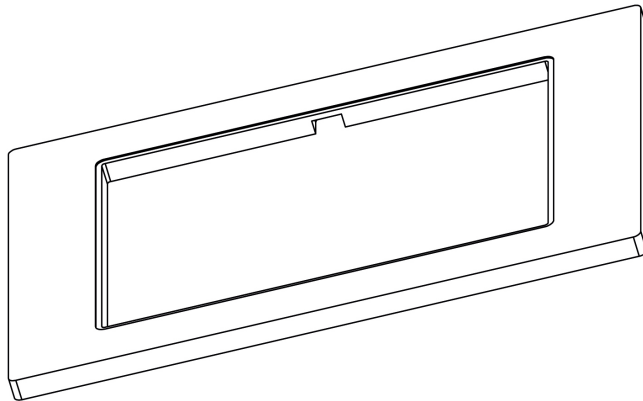
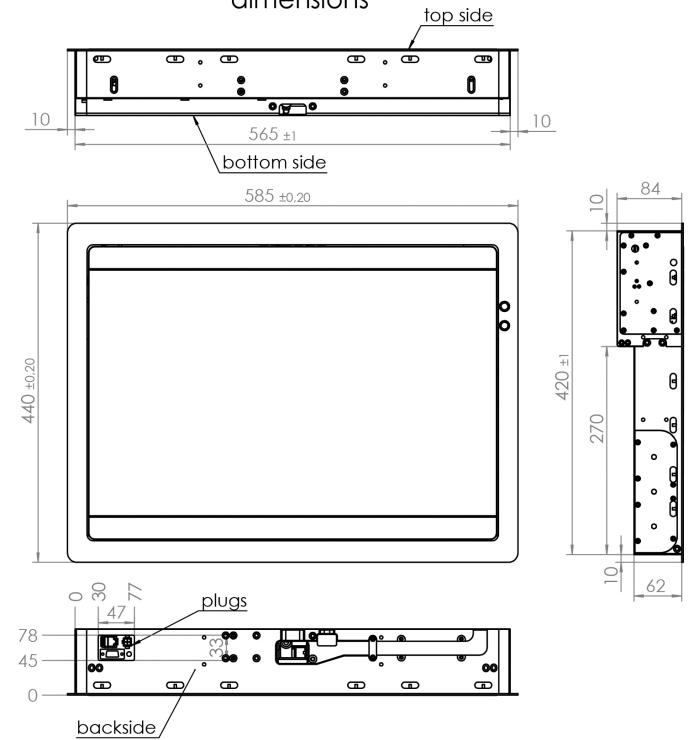


table top-side

dimensions



backside

Dimensions

We'd be delighted to offer our expertise in the planning and selection of the right solution for your needs. If required, we can send further technical drawings, detailed photographs, material samples and, of course, demo devices – perfect to handle and try out.

Simply call us on **+49 (0)7222 96654-20**

Or send us an e-mail at: **info@element-one.de**

ELEMENT ONE

Multimedia GmbH

Zum Murgdamm 5

76456 Kuppenheim

Germany

Fon: +49 (0) 7222 966 54 20

Mail: info@element-one.de

www.element-one.de